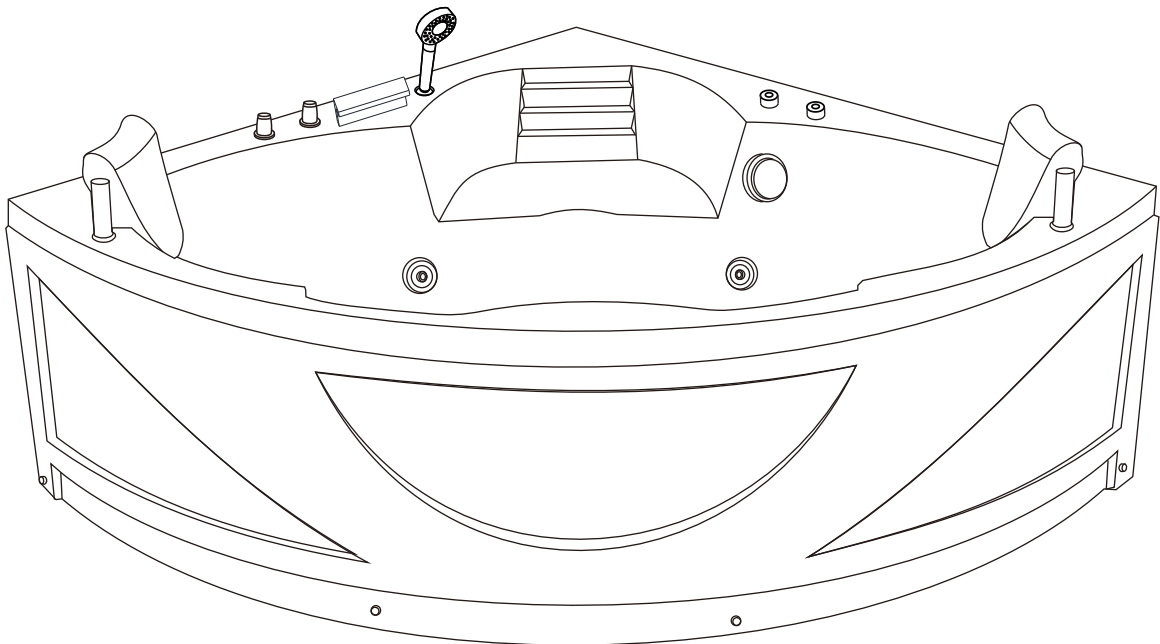


INSTALLATION MANUAL



C-424

1400X1400X590MM

